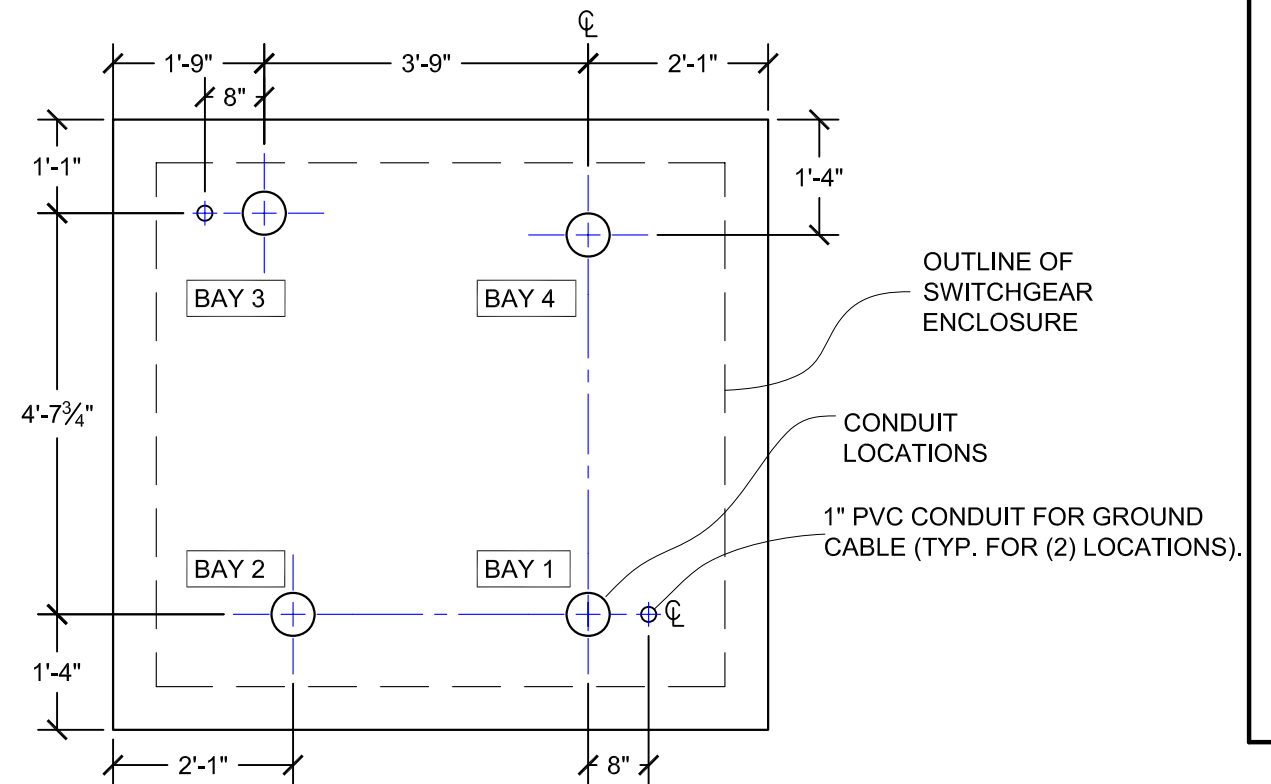
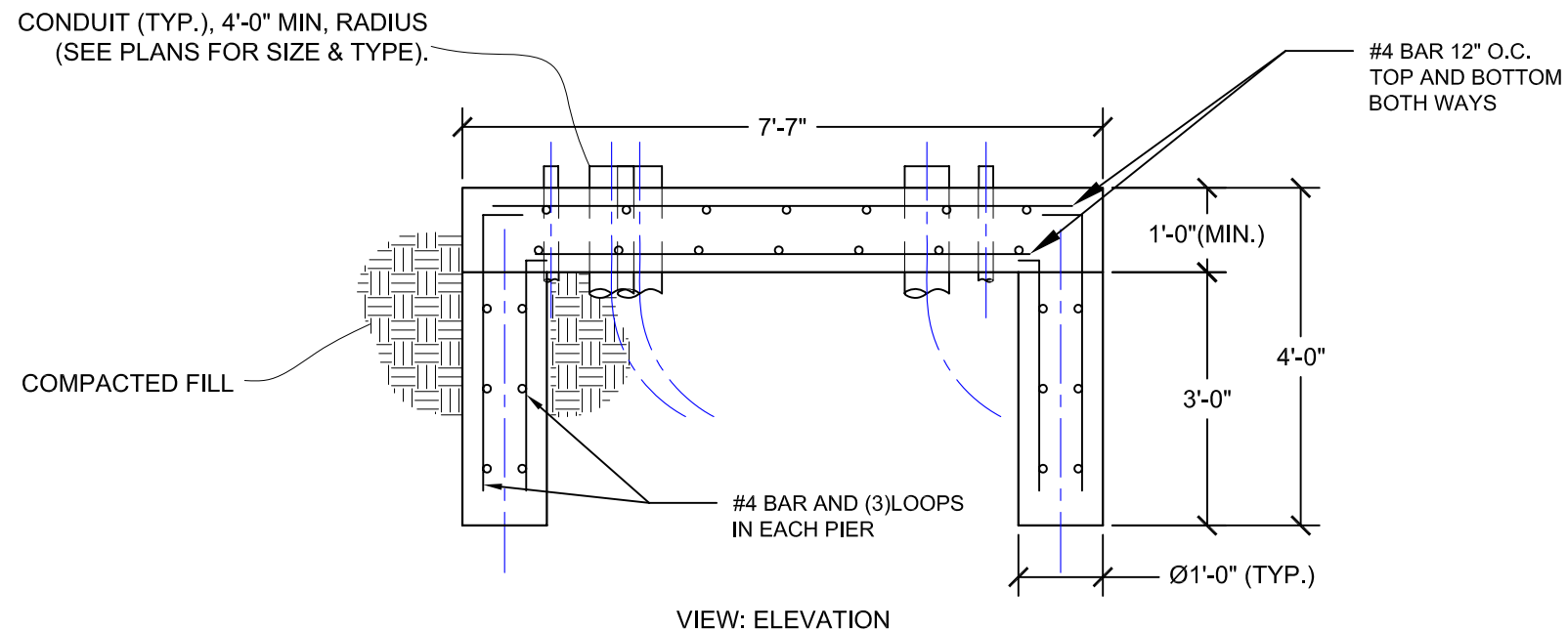


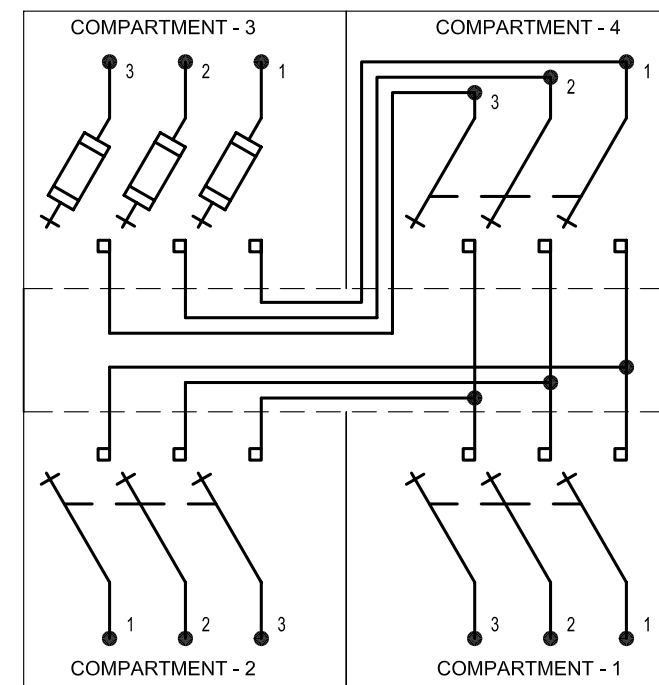
PLAN VIEW: PIER ORIENTATION



PLAN VIEW: CONDUIT LOCATIONS



VIEW: ELEVATION



PMH-19 CONNECTION DIAGRAM

MATERIAL NOTES:

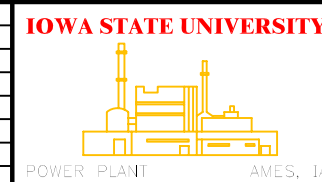
CONCRETE:
28 DAY STRENGTH - 4000 PSI
COARSE AGGREGATE - 1" LIMESTONE
AIR ENTRAINING - 5% TO 7%

CONCRETE REINFORCEMENT:
ASTM A615 GRADE 60.

NOTES:

CONCRETE PAD MINIMUM 6" ABOVE FINISHED GROUND AND LEVEL.
ADJUST THICKNESS TO ACCOMODATE GRADING

ENGR.: RKL		DATE: 8/28/2009	
RKL	Date	Revision	By
SCALE = NTS			



FACILITIES PLANNING
&
MANAGEMENT
UTILITY SERVICES

DWG. TITLE: SWITCHGEAR S&C PMH 19	
TYPE: CONCRETE DETAIL	
DWG. NO.: EU-3_PMH 19 SWGR FOUNDATION	REV.: SHEET: 1 OF 1